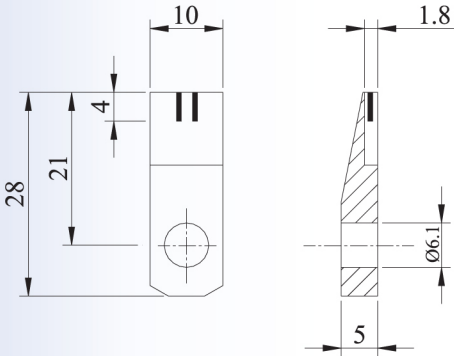




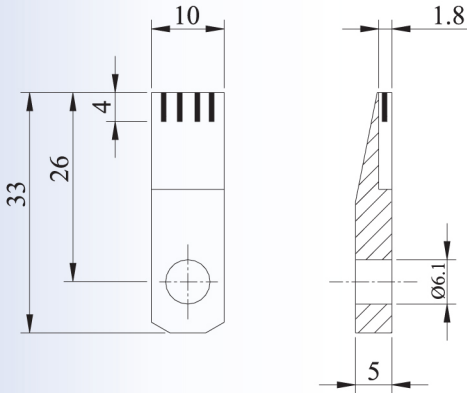
MCD Dressing Blades

JDT also offers MCD (Mono-Crystalline Diamond) blades which are fully synthetic product. These MCD inserts are arranged in a very systematic pattern in parallel or at 45° into the blade dressing blank. The thermal conductivity of MCD is most superior to that of Natural diamond. This helps to draw away heat from the contact zone between dressing tool and grinding wheel, thus contributing greatly to consistency of performance in dressing tools.

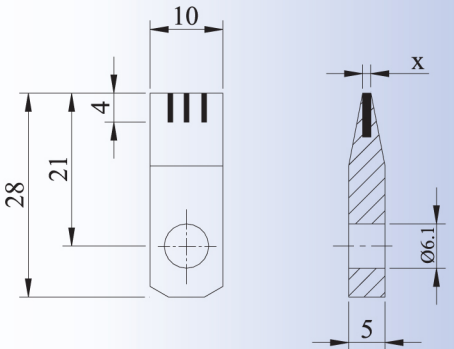
Tool Code
MCSB1-2D



Tool Code
MCSB2-4D



Tool Code
MCCB1-3D



Tool Code
MCSB5-5D

