



Chisel Type (Profile) Diamond Dressers

For the accurate profiling of grinding wheel only chisel tools are preferred for these operation. These chisel dresser are manufactured with specially selected higher quality natural diamonds, which are used on Diaform, Akuform & similar machine.

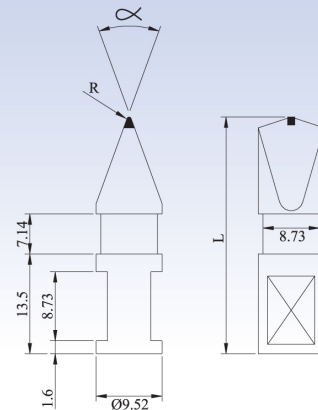
To get the maximum tool life

- ☞ Always select the larger profile angle.
- ☞ These diamonds are sensitive to shock and impact.
- ☞ It May be fractured or broken by striking any hard substance.
- ☞ Protect and store the tool properly when not in use.

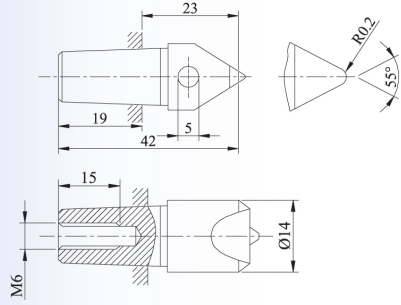
Radius in mm	Angle α	Tool Code
0.125R		DC1-A40L
0.250R	40°	DC2-A40L
0.500R		DC5-A40L
0.125R		DC1-A60L
0.250R	60°	DC2-A60L
0.500R		DC5-A60L

Length - L
 L1 - Length 35 mm
 L2 - Length 44.5 mm
 L3 - Length 57.8 mm

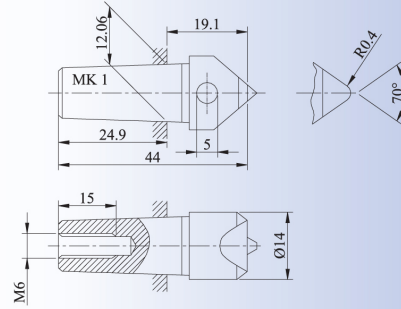
DIAFORM CHISEL



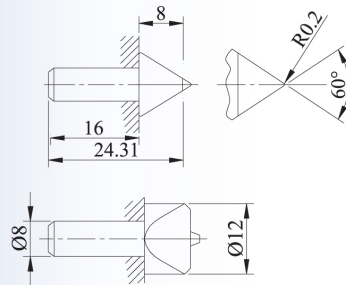
FORTUNA
0.2R 55°



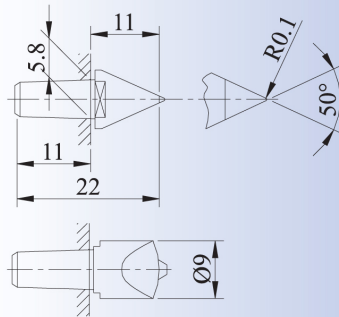
SCHAUDT
0.4R 70°



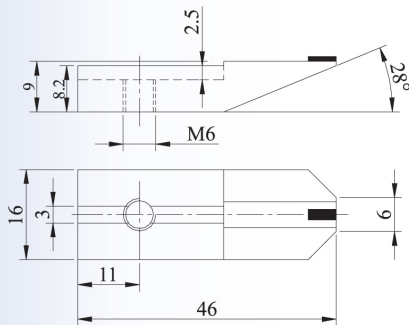
MSO
0.2R 60°



JUNG RA 38-53
0.1R 50°



REISHAUER



GFSS- TYPE DIAMOND DRESSERS

